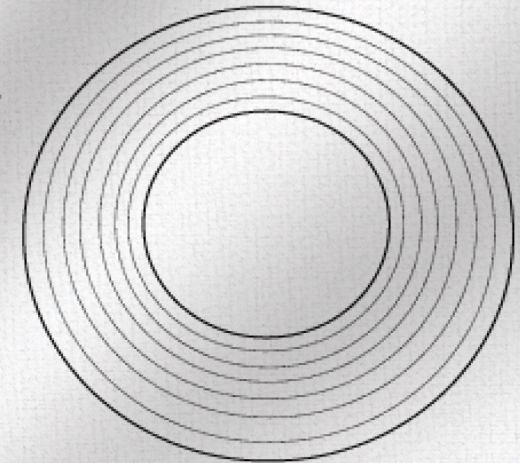
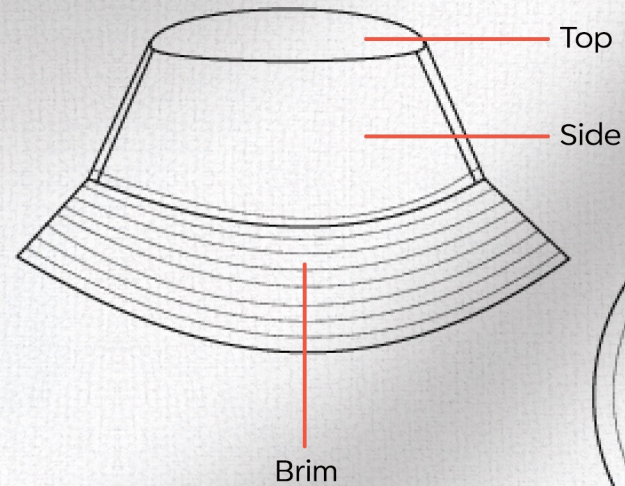


SKETCHES

PREFERRED MATERIALS:

Natural fibres such as cotton, linen, denim but nylon or polyester can also work



Inner circumference: 56 to 58 cm



INSTRUCTIONS:

- The hat can be made with either one piece or multiple pieces of fabric together.
- It is also possible to mix different materials e.g. the brim can be nylon whereas the middle can be cotton.
- If you do not have enough fabric to form one part of the hat, then patchwork is recommended. i.e. Mixing and piecing together fabric from different clothing.