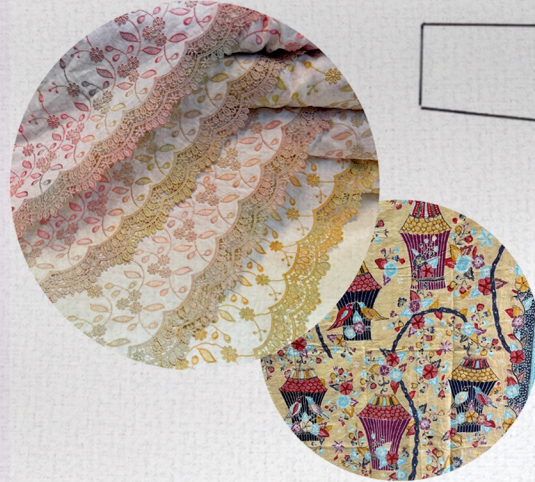
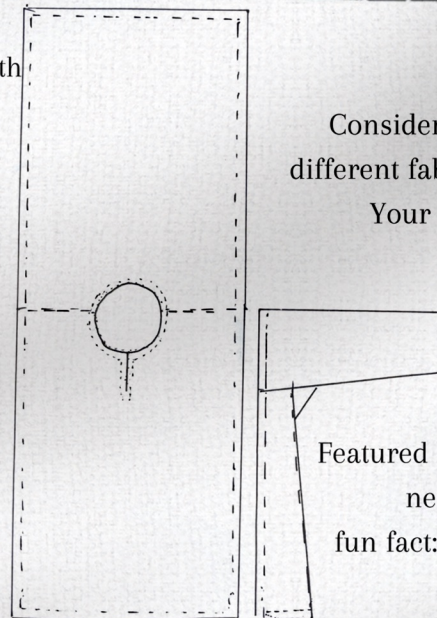


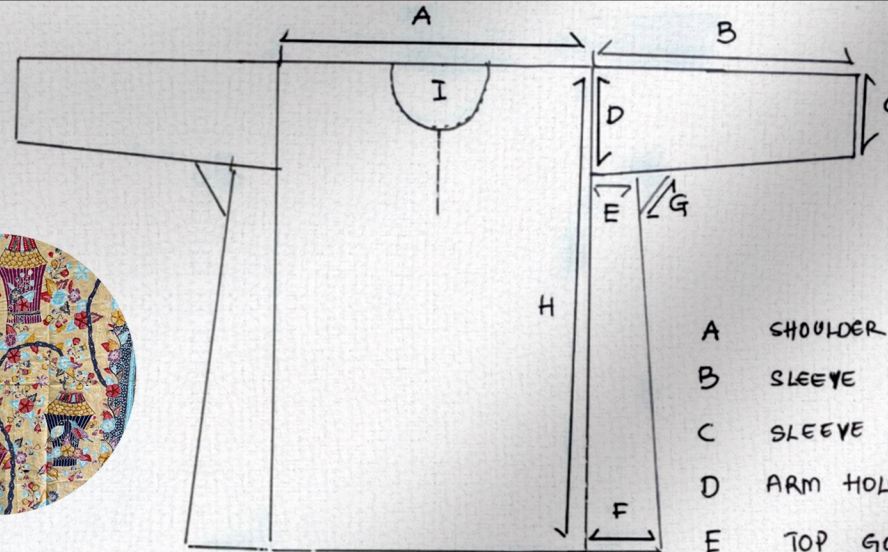
SKETCHES



Length of the Baju (Blouse) varies accordingly, choose between your preferred length & adjust accordingly.



Pockets are optional! Traditionally, different designs would have different pocket placements as a distinguishing factor. For fun, consider a statement pocket with an alternate existing fabric!



- A SHOULDER Bahu
- B SLEEVE LENGTH Labuh Lengan
- C SLEEVE WIDTH Lingkar Pergelangan
- D ARM HOLE Lubang Lengan
- E TOP GORE Pesak (Atas)
- F BOTTOM GORE Pesak (Bawah)
- G GUSSET Kekek
- H BLOUSE LENGTH Labuh Baju
- I. ROUND NECK HOLE Lubang Leher

Consider playing around with different fabrics and prints for each. Your design, your way!

*Kindly note this pattern template has been adjusted for simple ease of use especially for beginners.

Have fun sewing!
-Ratianah

Featured here is a traditional collar-less round neckline termed 'Teluk Belanga'. fun fact: it's name is said to be derived from Telok Blangah, Singapore!



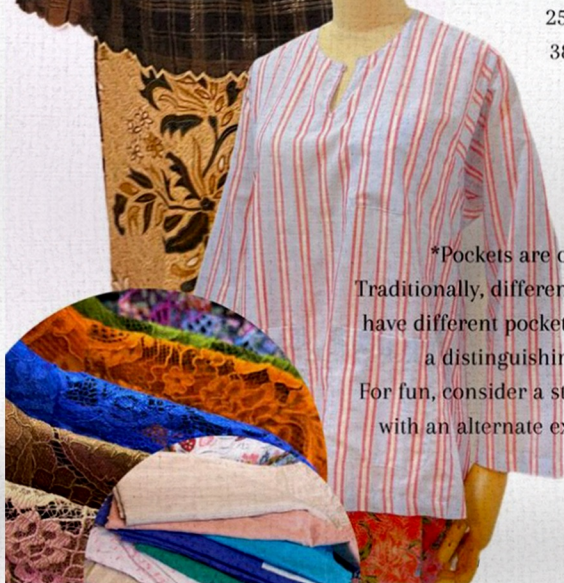
SKETCHES



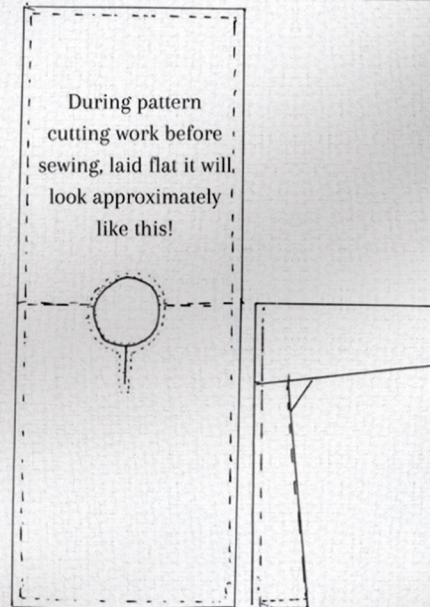
For ease of use, we will provide sample measurements for medium size in inches. Just add on or adjust accordingly if required >>

Length of the Baju (Blouse) varies accordingly, choose between your preferred length & adjust accordingly.

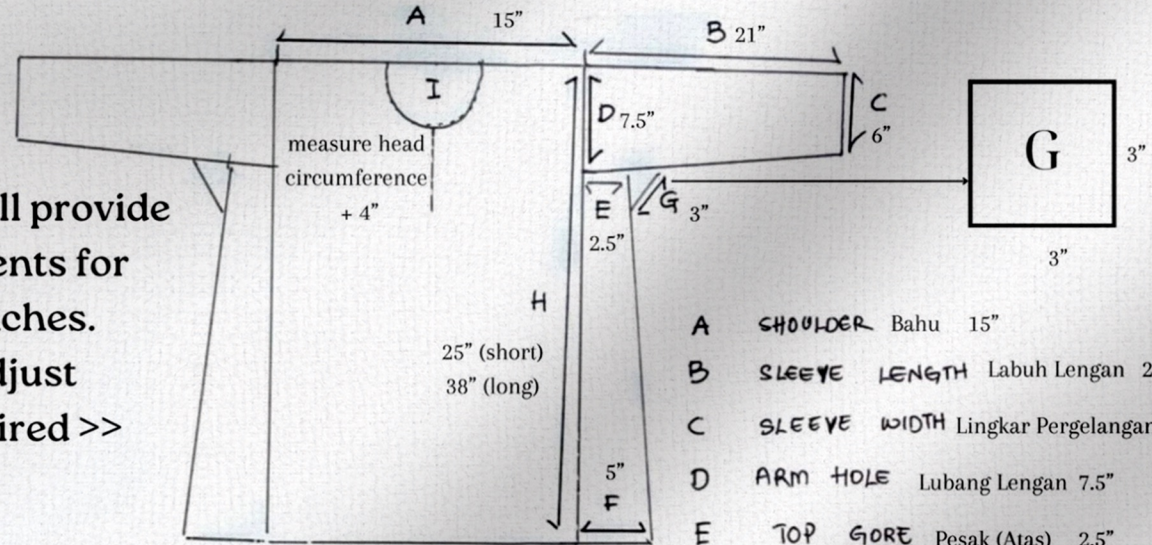
25" (short)
38" (long)



*Pockets are optional!
Traditionally, different designs would have different pocket placements as a distinguishing factor. For fun, consider a statement pocket with an alternate existing fabric!



During pattern cutting work before sewing, laid flat it will look approximately like this!



- A SHOULDER Bahu 15"
- B SLEEVE LENGTH Labuh Lengan 21"
- C SLEEVE WIDTH Lingkar Pergelangan 6"
- D ARM HOLE Lubang Lengan 7.5"
- E TOP GORE Pesak (Atas) 2.5"
- F BOTTOM GORE Pesak (Bawah) 5"
- G. GUSSET Kekek 3"
- H. BLOUSE LENGTH Labuh Baju 25" (short)
38" (long)
- I. ROUND NECK HOLE Lubang Leher measure head circumference + 4"

*Kindly note this pattern template has been adjusted for simple ease of use especially for beginners. Have fun sewing!
-Ratianah

