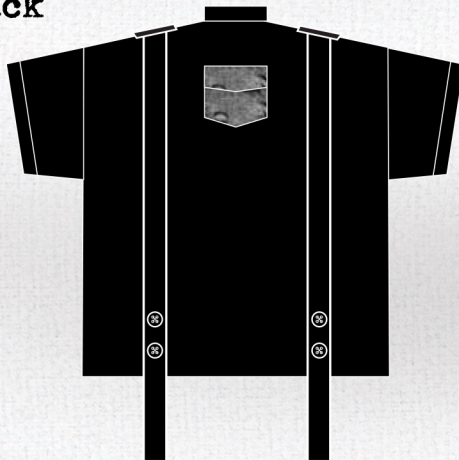


SKETCHES

Front



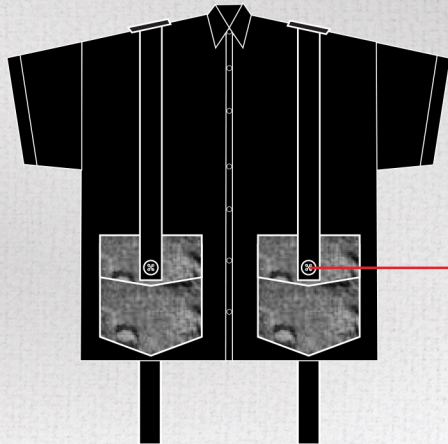
Back



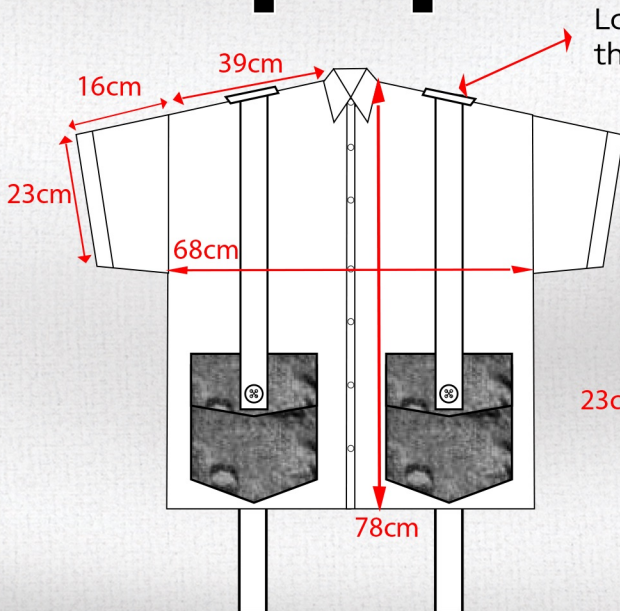


SKETCHES

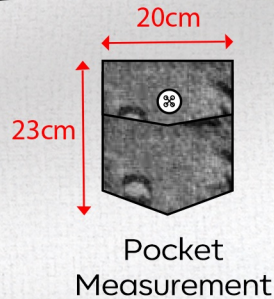
Front



Use large buttons for the suspenders i.e. the size of a 50-cent coin.

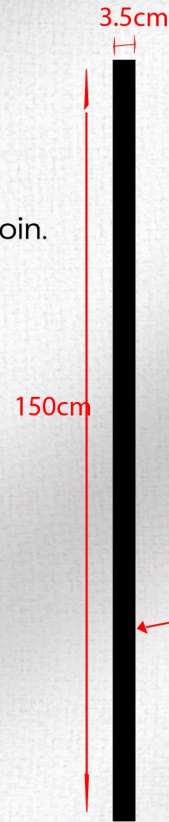


Loop to hold the suspenders



Pocket Measurement

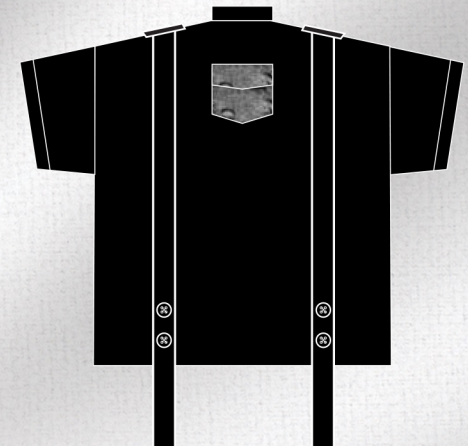
Suspenders can be created from leftover jeans fabric. Or from another pair of long pants.



Suspenders Measurement

Button Hole

Back



Measurements are based on size L shirt. Consult your tailor to make adjustments based on your size.